



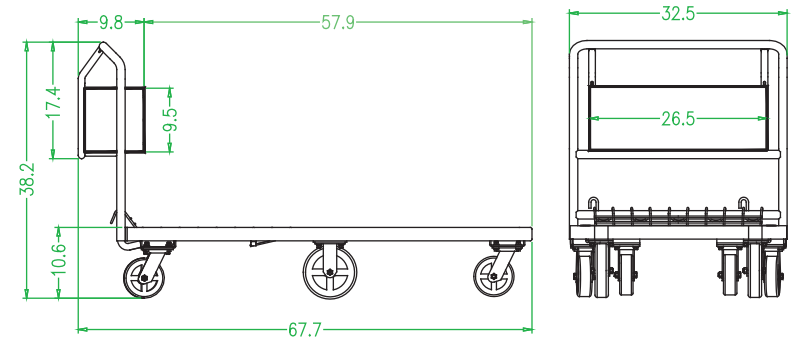
MODEL
616 P

TOTAL CAPACITY UP TO HANDLE HIGH	50,000	in ³
BASKET CAPACITY	2,000	in ³
NESTING	35 1/2	in
WEIGHT	150	lbs
TRAILER CAPACITY	120	
102 in X 53 ft		

FINISH	
BASKET AND DECK	ZINC WITH YELLOW CHROMATE
FRAME	POWDER OVER E-COAT

FEATURES

- Nest to 35 1/2 in. - Stores in less space with better order.
- Caster lifts - Easier to maneuver a line of nested carts.
- Flat deck - Items less likely to slide off.
- Wire deck - Can see through, nothing underneath.
- Cleaner - Will not bring in nearly as much water.
- Six wheels - Shorter turn radius (4 swivel - 6" x 2", 2 rigid - 8" x 2").



Precision Wire Products, Inc.

6150 SHEILA ST.
COMMERCE, CALIFORNIA 90040 1 - 888 - 300 - 4PWP

MODEL NUMBER
616P

NAME
PLATFORM (Patented)

DATE
08/13/07