



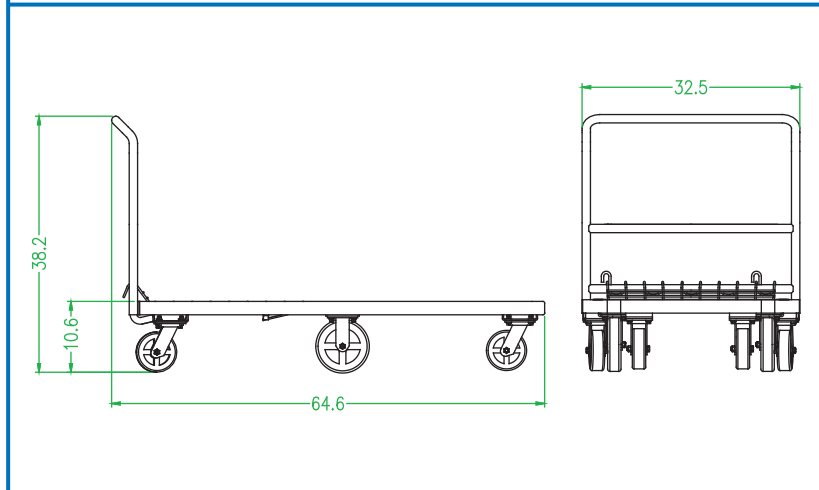
MODEL
615 P

TOTAL CAPACITY UP TO HANDLE HIGH	48,000	in ³
BASKET CAPACITY	N/A	in ³
NESTING	35 1/2	in
WEIGHT	136	lbs
TRAILER CAPACITY	120	plat forms

FINISH	
DECK	ZINC WITH YELLOW CHROMATE
FRAME	POWDER OVER E-COAT

FEATURES

- Nest to 35 1/2 in. - Less storage space in better order.
- Caster lifts - Easier to maneuver a line of nested platforms.
- Flat deck - Items less likely to slide off.
- Wire deck - Can see through, nothing underneath.
- Cleaner - Will not bring in nearly as much water.
- Six wheels - Shorter turn radius.



Precision Wire Products, Inc.

6150 SHEILA ST.
COMMERCE, CALIFORNIA 90040 1 - 888 - 300 - 4PWP

MODEL NUMBER 615P	NAME PLATFORM	DATE 03/10/08
-----------------------------	-------------------------	------------------