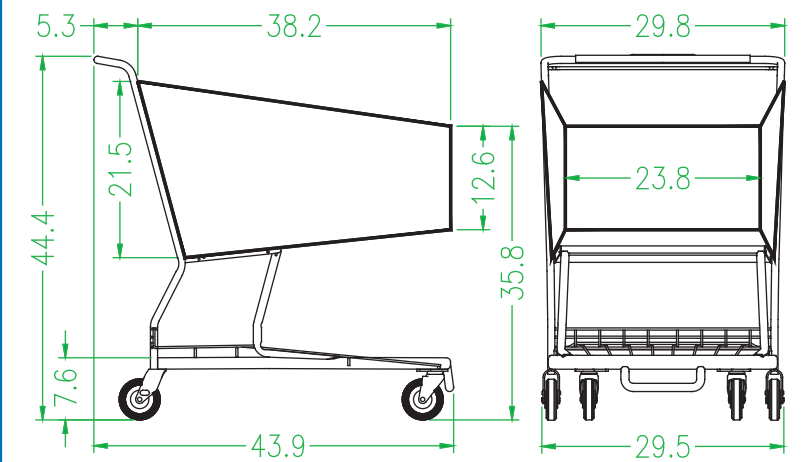




MODEL			
584 V			
TOTAL CAPACITY	25,600	in ³	FINISH
BASKET CAPACITY	14,900	in ³	
NESTING	13 1/2	in	CHROME, NYLON BASKET MULTICOLOR POWDER
WEIGHT	69	lbs	ONE COLOR POWDER OVER E-COAT
TRAILER CAPACITY	258	shop. carts	YES
102 in X 53 ft			YES

FEATURES

Powder over E-coat - provides corrosion protection inside the tubing.
 Oval tube, extended base - much stronger, easier to load items on lower tray.
 Double wire truss basket - stronger, lighter.
 Drop down gravity assist baby seat - less likely to bind when nesting.
 7 ga. (0.177) rear casters - stronger, cleaner, self aligning.
 Integrated oval tube, 1/4 X 1 1/2 caster plates - much stronger, cleaner.
 Integrated handle, rear casters, truss between rear wheels - much stronger.
 Accepts " bumper / caster lifts " - easier to maneuver line of nested carts, less wear on rear wheels, protects powder.
 Welded lower tray - lighter, quieter, protects powder.
 Retrieval strap anchor - much easier and faster to secure a line of nested carts together with a light / flexible strap without hooks.
 Double baby seat.
 Tubular bumper on base - protects front casters.



Precision Wire Products, Inc.

6150 SHEILA ST.
 COMMERCE, CALIFORNIA 90040 1 - 888 - 300 - 4PWP

MODEL NUMBER	NAME	DATE
584V	SHOPPING CART	09/24/08