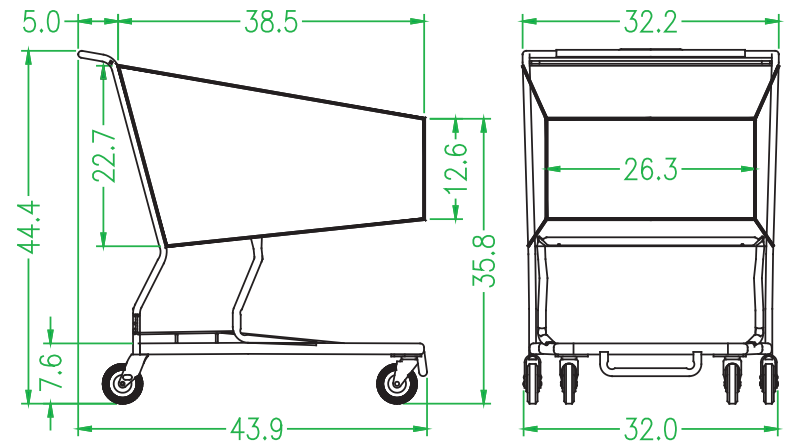




MODEL									
<b>570 W</b>									
<b>TOTAL CAPACITY</b>	28,000	in <sup>3</sup>	<table border="1"> <thead> <tr> <th colspan="2">FINISH</th> </tr> </thead> <tbody> <tr> <td><b>CHROME, NYLON BASKET MULTICOLOR POWDER</b></td> <td>NO</td> </tr> <tr> <td><b>ONE COLOR POWDER OVER E-COAT</b></td> <td>YES</td> </tr> </tbody> </table>	FINISH		<b>CHROME, NYLON BASKET MULTICOLOR POWDER</b>	NO	<b>ONE COLOR POWDER OVER E-COAT</b>	YES
FINISH									
<b>CHROME, NYLON BASKET MULTICOLOR POWDER</b>	NO								
<b>ONE COLOR POWDER OVER E-COAT</b>	YES								
<b>BASKET CAPACITY</b>	17,000	in <sup>3</sup>							
<b>NESTING</b>	13 1/2	in							
<b>WEIGHT</b>	72	lbs							
<b>TRAILER CAPACITY 102 in X 53 ft</b>	258	shop. carts							

### FEATURES

- Powder over E-coat - provides corrosion protection inside the tubing.
- Double wire truss basket - stronger, lighter.
- Drop down gravity assist baby seat - less likely to bind when nesting.
- 7 ga. (0.177) rear casters - stronger, cleaner, self aligning.
- Integrated oval tube, 1/4 X 1 1/2 caster plates - much stronger, cleaner.
- Integrated handle, rear casters, truss between rear wheels - much stronger.
- Oval tube, extended base - much stronger, easier to load items on lower tray.
- Double baby seat.
- Accepts " bumper / caster lifts " - easier to maneuver line of nested carts, less wear on rear wheels, protects powder.
- Welded lower tray - lighter, quieter, protects powder.
- Retrieval strap anchor - much easier and faster to secure a line of nested carts together with a light / flexible strap without hooks.
- Tubular bumper on base - protects front casters.



## Precision Wire Products, Inc.

6150 SHEILA ST.  
 COMMERCE, CALIFORNIA 90040 1 - 888 - 300 - 4PWP

MODEL NUMBER  
**570W**

NAME  
**SHOPPING CART**

DATE  
 04/17/07