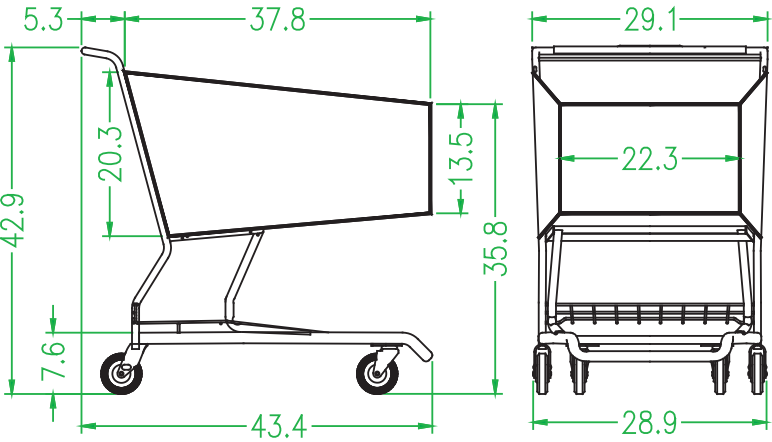




MODEL									
<b>568 W</b>									
<b>TOTAL CAPACITY</b>	22,300	in <sup>3</sup>	<table border="1"> <thead> <tr> <th colspan="2">FINISH</th> </tr> </thead> <tbody> <tr> <td><b>CHROME, NYLON BASKET MULTICOLOR POWDER</b></td> <td>YES</td> </tr> <tr> <td><b>ONE COLOR POWDER OVER E-COAT</b></td> <td>YES</td> </tr> </tbody> </table>	FINISH		<b>CHROME, NYLON BASKET MULTICOLOR POWDER</b>	YES	<b>ONE COLOR POWDER OVER E-COAT</b>	YES
FINISH									
<b>CHROME, NYLON BASKET MULTICOLOR POWDER</b>	YES								
<b>ONE COLOR POWDER OVER E-COAT</b>	YES								
<b>BASKET CAPACITY</b>	14,100	in <sup>3</sup>							
<b>NESTING</b>	12 1/2	in							
<b>WEIGHT</b>	68	lbs							
<b>TRAILER CAPACITY</b> 102 in X 53 ft	276	shop. carts							

**FEATURES**

Powder over E-coat - provides corrosion protection inside the tubing.  
 Oval tube base - much stronger.  
 Double wire truss basket - stronger, lighter.  
 Drop down gravity assist baby seat - less likely to bind when nesting.  
 7 ga. (0.177) rear casters - stronger, cleaner, self aligning.  
 Integrated 1" tube, 1/4 X 1 1/2 caster plates - much stronger, cleaner.  
 Integrated handle, rear casters, truss between rear wheels - much stronger.  
 Accepts " bumper / caster lifts " - easier to maneuver line of nested carts, less wear on rear wheels, protects powder.  
 Welded lower tray - lighter, quieter, protects powder.  
 Double baby seat.



**Precision Wire Products, Inc.**

6150 SHEILA ST.  
 COMMERCE, CALIFORNIA 90040 1 - 888 - 300 - 4PWP

MODEL NUMBER	NAME	DATE
<b>564V</b>	<b>SHOPPING CART</b>	05/12/08