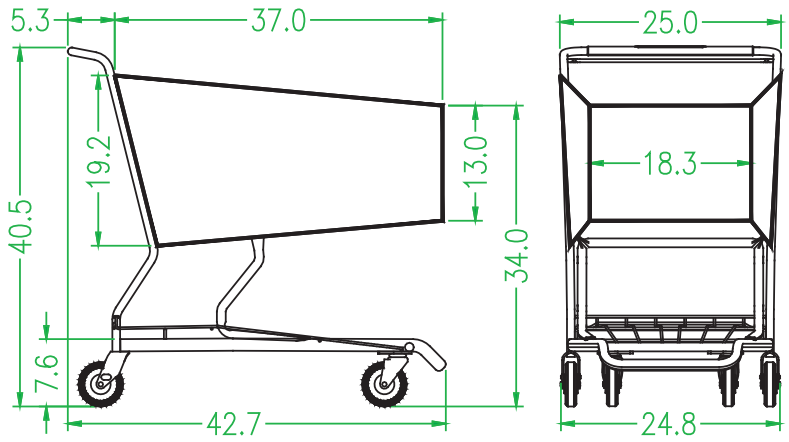




MODEL				
498 W				
TOTAL CAPACITY	16,800	in ³	FINISH	
BASKET CAPACITY	11,000	in ³		
NESTING	12 3/4	in	CHROME, NYLON BASKET MULTICOLOR POWDER	NO
WEIGHT	58	lbs	ONE COLOR POWDER OVER E-COAT	YES
TRAILER CAPACITY 102 in X 53 ft	460	shop. carts		

FEATURES

Powder over E-coat - provides corrosion protection inside the tubing.
 Oval tube base - much stronger.
 Double wire truss basket - stronger, lighter.
 Drop down gravity assist baby seat - less likely to bind when nesting.
 7 ga. (0.177) rear casters - stronger, cleaner, self aligning.
 Integrated 1" tube, 1/4 X 1 1/2 caster plates - much stronger, cleaner.
 Integrated handle, rear casters, truss between rear wheels - much stronger.
 Accepts " bumper / caster lifts " - easier to maneuver line of nested carts, less wear on rear wheels, protects powder.
 Welded lower tray - lighter, quieter, protects powder.
 Retrieval strap anchor - much easier and faster to secure a line of nested carts with a light / flexible strap without hooks.



Precision Wire Products, Inc.

6150 SHEILA ST.
 COMMERCE, CALIFORNIA 90040 1 - 888 - 300 - 4PWP

MODEL NUMBER	NAME	DATE
498W	SHOPPING CART	05/01/08