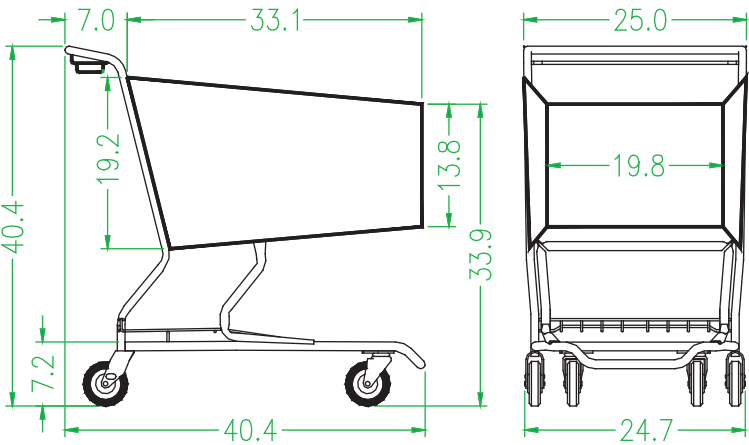




MODEL			
468 W			
TOTAL CAPACITY	15,700	in ³	FINISH
BASKET CAPACITY	10,500	in ³	
NESTING	12 1/2	in	CHROME, NYLON BASKET MULTICOLOR POWDER
WEIGHT	58	lbs	ONE COLOR POWDER OVER E-COAT
TRAILER CAPACITY	460	shop. carts	NO
102 in X 53 ft			YES

FEATURES

- Powder over E-coat - provides corrosion protection inside the tubing.
- Double wire truss basket - stronger, lighter.
- Drop down gravity assist baby seat - less likely to bind when nesting.
- 7 ga. (0.177) rear casters - stronger, cleaner, self aligning.
- Integrated 1" tube, 1/4 X 1 1/2 castor plates - much stronger, cleaner.
- Integrated handle, rear casters, truss between rear wheels - much stronger.
- Accepts " bumper / caster lifts " - easier to maneuver line of nested carts, less wear on rear wheels, protects powder.
- Welded lower tray - lighter, quieter, protects powder.
- Accepts convenience tray / cup holder.
- Accepts fresh basket in front of basket.



Precision Wire Products, Inc.

6150 SHEILA ST.
COMMERCE, CALIFORNIA 90040 1 - 888 - 300 - 4PWP

MODEL NUMBER	NAME	DATE
468W	SHOPPING CART	05/01/08