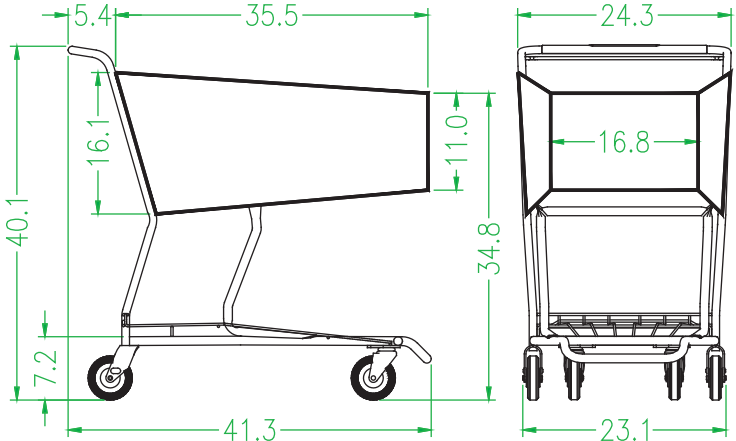




MODEL				
358 W				
TOTAL CAPACITY	14,900	in ³	FINISH	
BASKET CAPACITY	8,400	in ³		
NESTING	12 1/2	in		
WEIGHT	57	lbs		
TRAILER CAPACITY 102 in X 53 ft	460	shop. carts		
			CHROME, NYLON BASKET MULTICOLOR POWDER	NO
			ONE COLOR POWDER OVER E-COAT	YES

FEATURES

Powder over E-coat - provides corrosion protection inside the tubing.
 Double wire truss basket - stronger, lighter.
 Drop down gravity assist baby seat - less likely to bind when nesting.
 7 ga. (0.177) rear casters - stronger, cleaner, self aligning.
 Integrated 1" tube, 1/4 X 1 1/2 caster plates - much stronger, cleaner.
 Integrated handle, rear casters, truss between rear wheels - much stronger.
 Accepts " bumper / caster lifts " - easier to maneuver line of nested carts,
 less wear on rear wheels, protects powder.
 Welded lower tray - lighter, quieter, protects powder.



Precision Wire Products, Inc.

6150 SHEILA ST.
 COMMERCE, CALIFORNIA 90040 1 - 888 - 300 - 4PWP

MODEL NUMBER	NAME	DATE
358W	SHOPPING CART	08/12/08