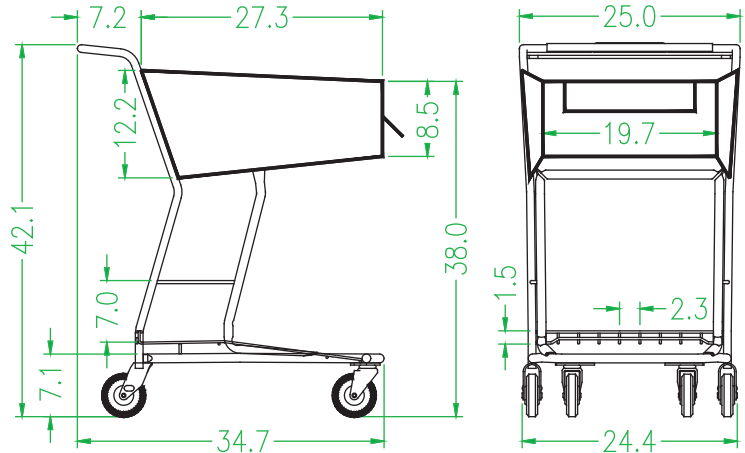




MODEL			
308 W			
TOTAL CAPACITY	13,400	in ³	FINISH
BASKET CAPACITY	5,200	in ³	
NESTING	11	in	
WEIGHT	53	lbs	
TRAILER CAPACITY 102 in X 53 ft	424	shop. carts	
		CHROME, NYLON BASKET MULTICOLOR POWDER	NO
		ONE COLOR POWDER OVER E-COAT	YES

FEATURES

Powder over E-coat - provides corrosion protection inside the tubing.
 Double wire truss basket - stronger, lighter.
 Drop down gravity assist baby seat - less likely to bind when nesting.
 7 ga. (0.177) rear casters - stronger, cleaner, self aligning.
 Integrated handle, rear casters, truss between rear wheels - much stronger.
 Integrated 1" tube, 1/4 X 1 1/2 caster plates - much stronger, cleaner.
 Accepts " bumper / caster lifts " - easier to maneuver line of nested carts, less wear on rear wheels, protects powder.
 Welded lower tray - lighter, quieter, protects powder.
 Accepts cup holder.
 " Half " front gate.



Precision Wire Products, Inc.

6150 SHEILA ST.
 COMMERCE, CALIFORNIA 90040 1 - 888 - 300 - 4PWP

MODEL NUMBER	NAME	DATE
308W	"OVER THE END" SHOPPING CART	05/05/08