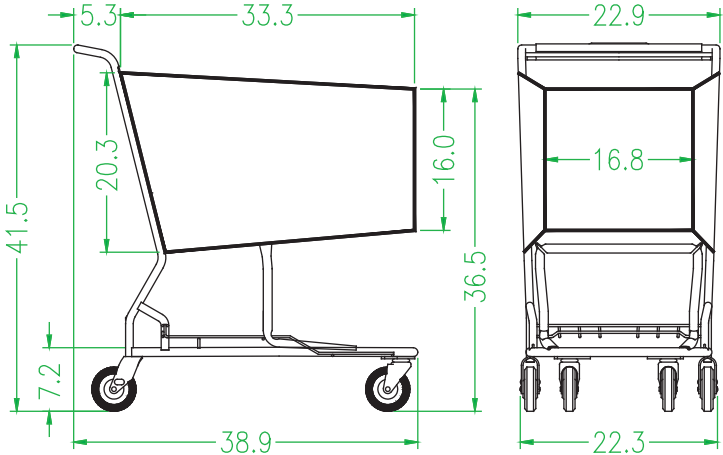




<b>MODEL</b>				
<b>295 W</b>				
<b>TOTAL CAPACITY</b>	15,000	in <sup>3</sup>	<b>FINISH</b>	
<b>BASKET CAPACITY</b>	10,100	in <sup>3</sup>		
<b>NESTING</b>	12 1/2	in		
<b>WEIGHT</b>	54	lbs		
<b>TRAILER CAPACITY</b> 102 in X 53 ft	560	shop. carts		
			<b>CHROME, NYLON BASKET MULTICOLOR POWDER</b>	NO
			<b>ONE COLOR POWDER OVER E-COAT</b>	YES

**FEATURES**

Powder over E-coat - provides corrosion protection inside the tubing.  
 Double wire truss basket - stronger, lighter.  
 Drop down gravity assist baby seat - less likely to bind when nesting.  
 7 ga. (0.177) rear casters - stronger, cleaner, self aligning.  
 Integrated handle, rear casters, truss between rear wheels - much stronger.  
 Integrated 1" tube, 1/4 X 1 1/2 caster plates - much stronger, cleaner.  
 Accepts " bumper / caster lifts " - easier to maneuver line of nested carts, less wear on rear wheels, protects powder.  
 Welded lower tray - lighter, quieter, protects powder.  
 Extended base - much easier to load items on lower tray.  
 " Inset " lower tray.



**Precision Wire Products, Inc.**

6150 SHEILA ST.  
 COMMERCE, CALIFORNIA 90040 1 - 888 - 300 - 4PWP

MODEL NUMBER	NAME	DATE
<b>295W</b>	<b>SHOPPING CART</b>	05/05/08