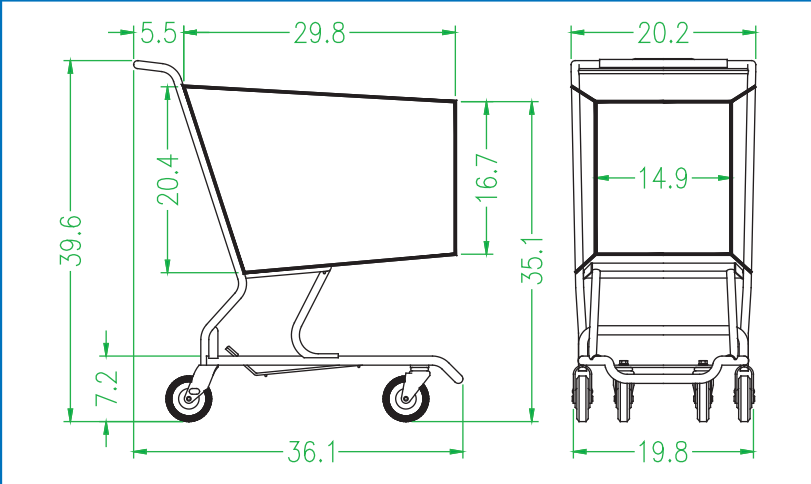




MODEL			
210 Z			
TOTAL CAPACITY	11,200	in ³	FINISH
BASKET CAPACITY	7,900	in ³	
NESTING	10	in	CHROME, NYLON BASKET MULTICOLOR POWDER
WEIGHT	48	lbs	
TRAILER CAPACITY	590	shop. carts	ONE COLOR POWDER OVER E-COAT
			YES
			YES

FEATURES

Double wire truss basket - stronger, lighter.
 Drop down gravity assist baby seat - less likely to bind when nesting.
 7 ga. (0.177) rear casters - stronger, cleaner, self aligning.
 Integrated handle, rear casters, tube between rear wheels - much stronger.



Precision Wire Products, Inc.

6150 SHEILA ST.
 COMMERCE, CALIFORNIA 90040 1 - 888 - 300 - 4PWP

MODEL NUMBER	NAME	DATE
210Z	SHOPPING CART	05/05/08