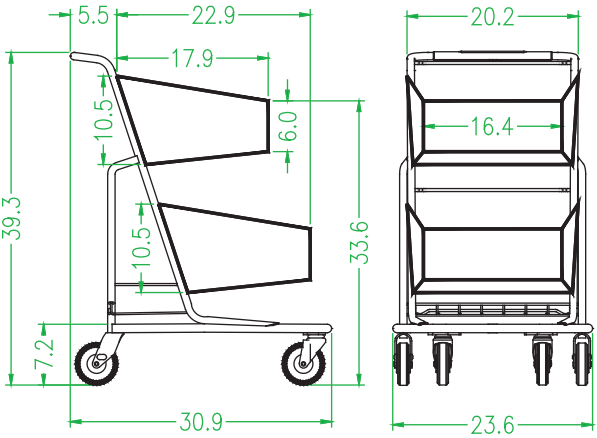




MODEL				
132 C				
TOTAL CAPACITY	6,200	in ³	FINISH	
BASKET CAPACITY	2X2,100	in ³		
NESTING	10 1/2	in		
WEIGHT	53	lbs		
TRAILER CAPACITY	560	shop. carts		
			CHROME, NYLON BASKET MULTICOLOR POWDER	NO
			ONE COLOR POWDER OVER E-COAT	YES

FEATURES

Powder over E-coat - provides corrosion protection inside the tubing.
 Double wire truss basket - stronger, lighter.
 7 ga. (0.177) rear casters - stronger, cleaner, self aligning.
 Integrated handle, rear casters, truss between rear wheels - much stronger.
 Integrated 1" tube, 1/4 X 1 1/2 caster plates - much stronger, cleaner.
 Welded lower tray - lighter, quieter, protects powder.
 Accepts "bumper / caster lifts" - easier to maneuver line of nested carts, less ware on rear wheels, ptotects powder.



Precision Wire Products, Inc.

6150 SHEILA ST.
 COMMERCE, CALIFORNIA 90040 1 - 888 - 300 - 4PWP

MODEL NUMBER	NAME	DATE
132C	CONVENIENCE CART	08/19/09