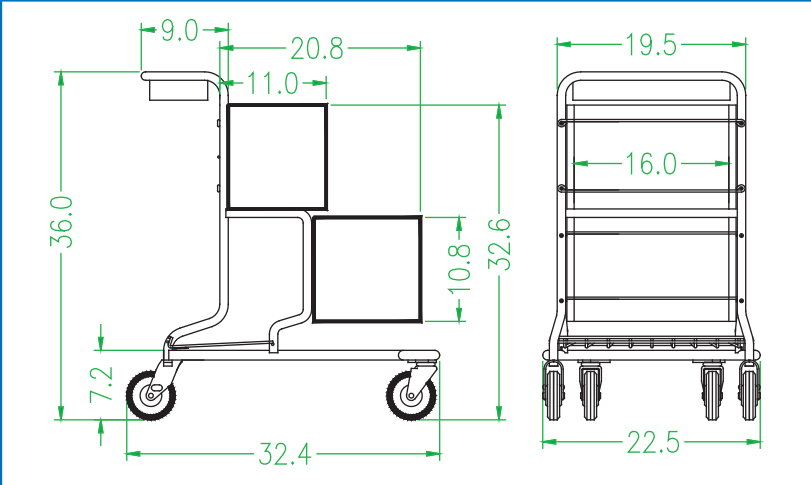




| MODEL | | | | | | | | | |
|---|---------|-----------------|--|--------|--|---|-----|---|-----|
| 122 C | | | | | | | | | |
| TOTAL CAPACITY | 4,700 | in ³ | <table border="1"> <thead> <tr> <th colspan="2">FINISH</th> </tr> </thead> <tbody> <tr> <td>CHROME, NYLON BASKET MULTICOLOR POWDER</td> <td>YES</td> </tr> <tr> <td>ONE COLOR POWDER OVER E-COAT</td> <td>YES</td> </tr> </tbody> </table> | FINISH | | CHROME, NYLON BASKET MULTICOLOR POWDER | YES | ONE COLOR POWDER OVER E-COAT | YES |
| FINISH | | | | | | | | | |
| CHROME, NYLON BASKET MULTICOLOR POWDER | YES | | | | | | | | |
| ONE COLOR POWDER OVER E-COAT | YES | | | | | | | | |
| BASKET CAPACITY | 2X1,700 | in ³ | | | | | | | |
| NESTING | 11 1/2 | in | | | | | | | |
| WEIGHT | 39 | lbs | | | | | | | |
| TRAILER CAPACITY 102 in X 53 ft | 624 | shop. carts | | | | | | | |

FEATURES

Double wire truss basket - stronger, lighter.
 7 ga. (0.177) rear casters - stronger, cleaner, self aligning.
 Integrated handle, rear casters, truss between rear wheels - much stronger.
 1/4 X 1 1/2 caster plates - much stronger, cleaner.
 Welded lower tray - lighter, quieter, protects powder.
 Easy to maneuver.
 Accepts convenience tray / cup holder.



Precision Wire Products, Inc.

6150 SHEILA ST.
 COMMERCE, CALIFORNIA 90040 1 - 888 - 300 - 4PWP

| | | |
|--------------|-------------------------|----------|
| MODEL NUMBER | NAME | DATE |
| 122C | CONVENIENCE CART | 05/05/08 |